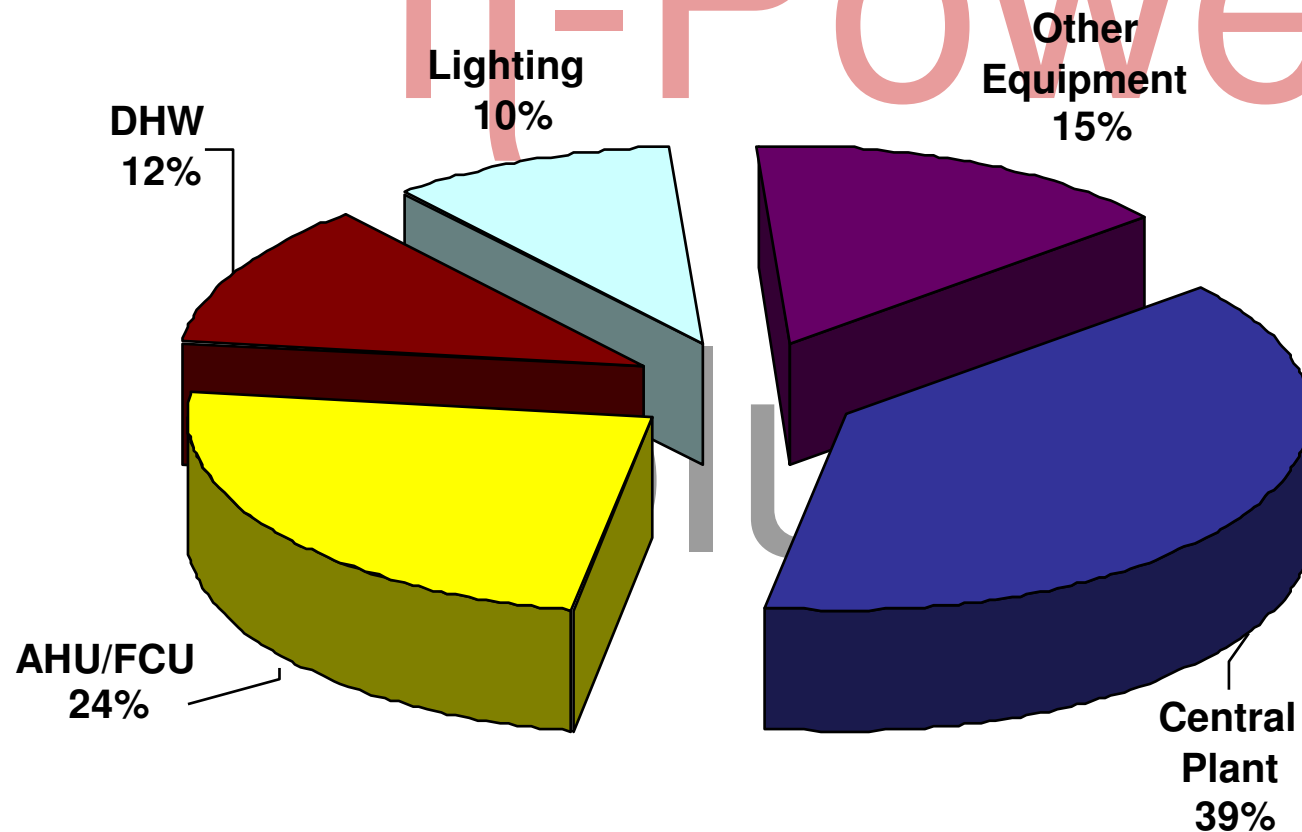


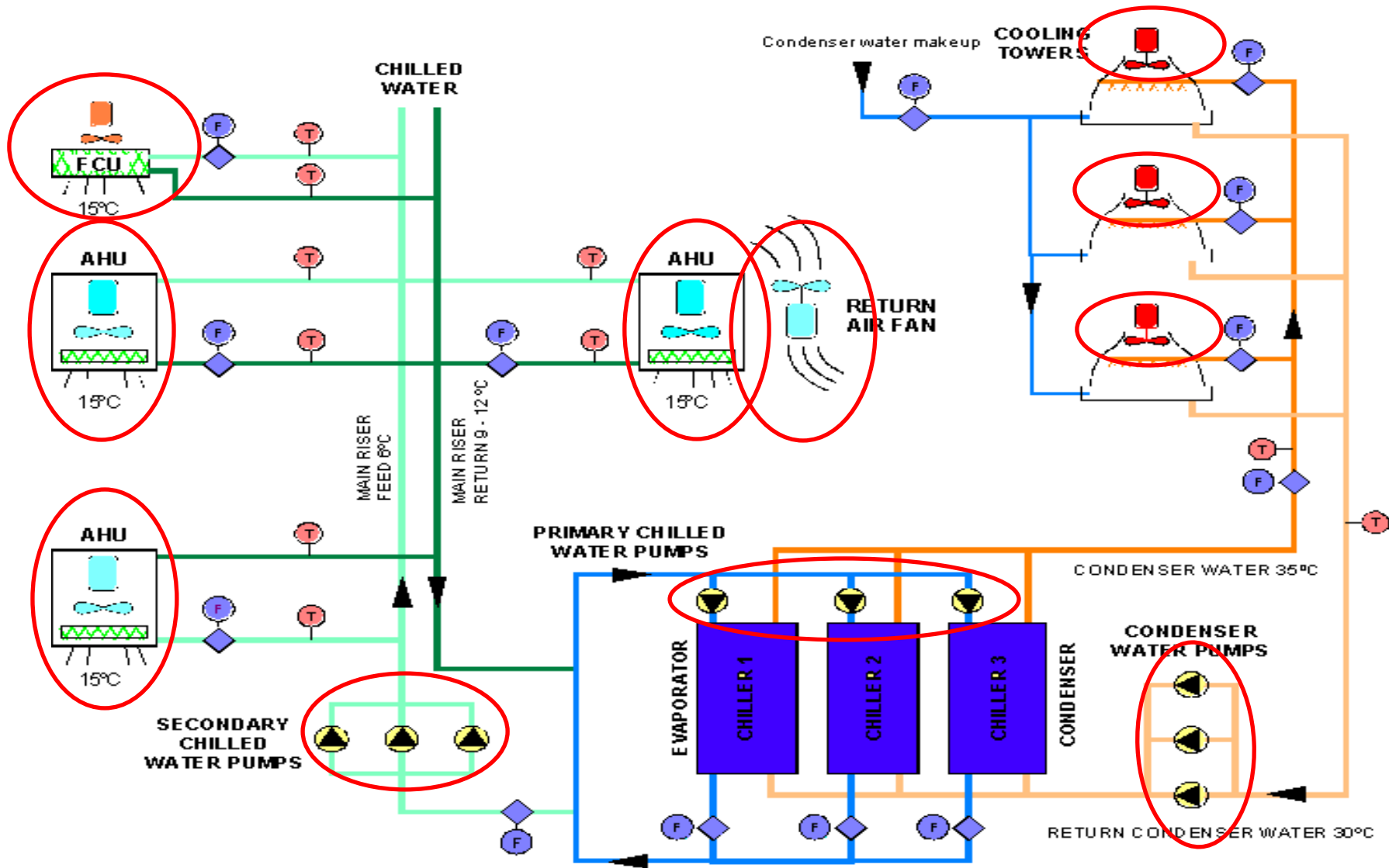
# HVAC

- Multiple Pumps and Fans
- Contribution of HVAC to Building Energy Cost



Approx. 75 % Load  
in a typical  
Building are  
related to FAN &  
PUMPS

# Typical HVAC – Central Plant Layout



# Use of VFDs in a Typical HVAC Central Plant

