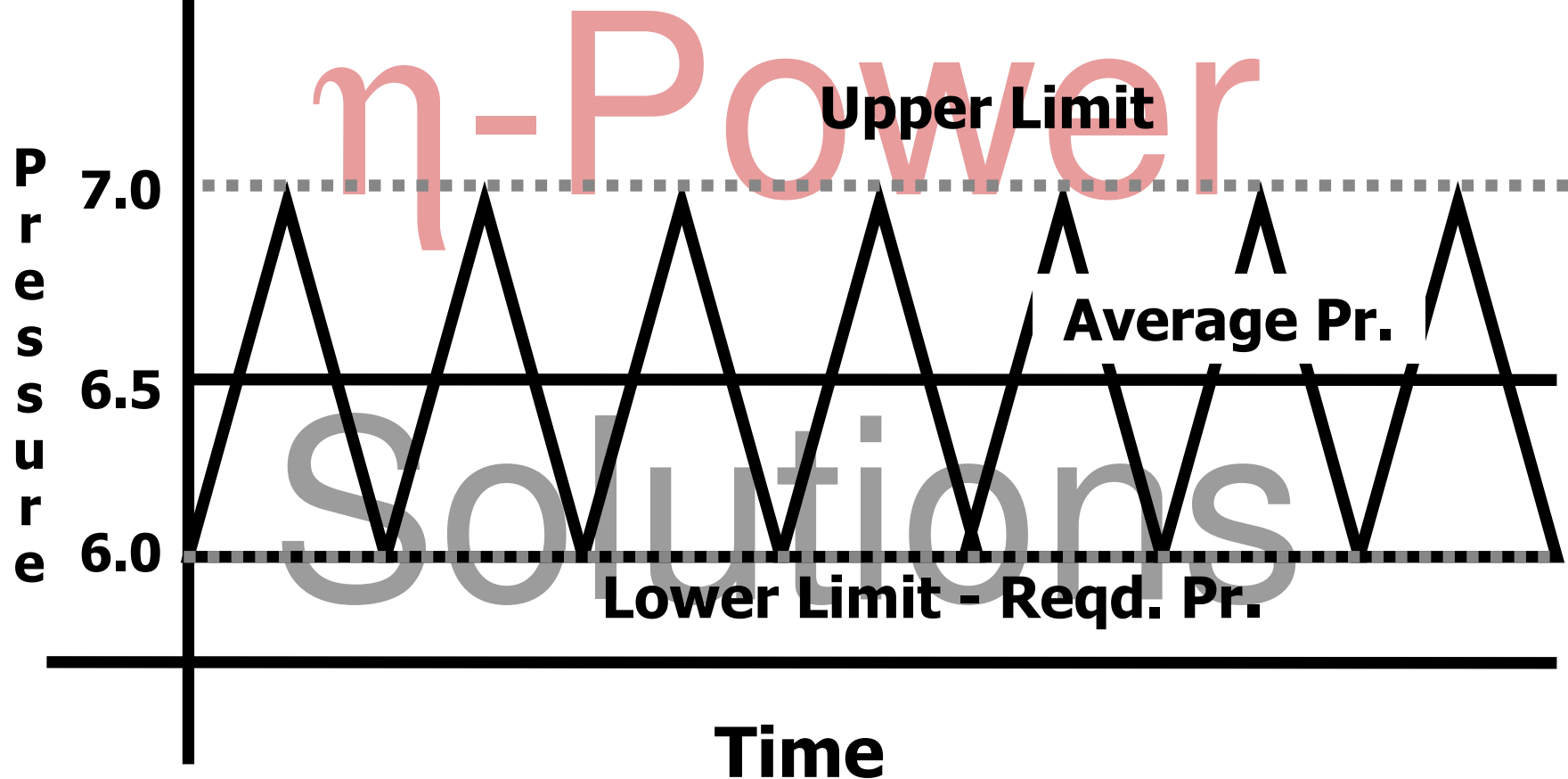
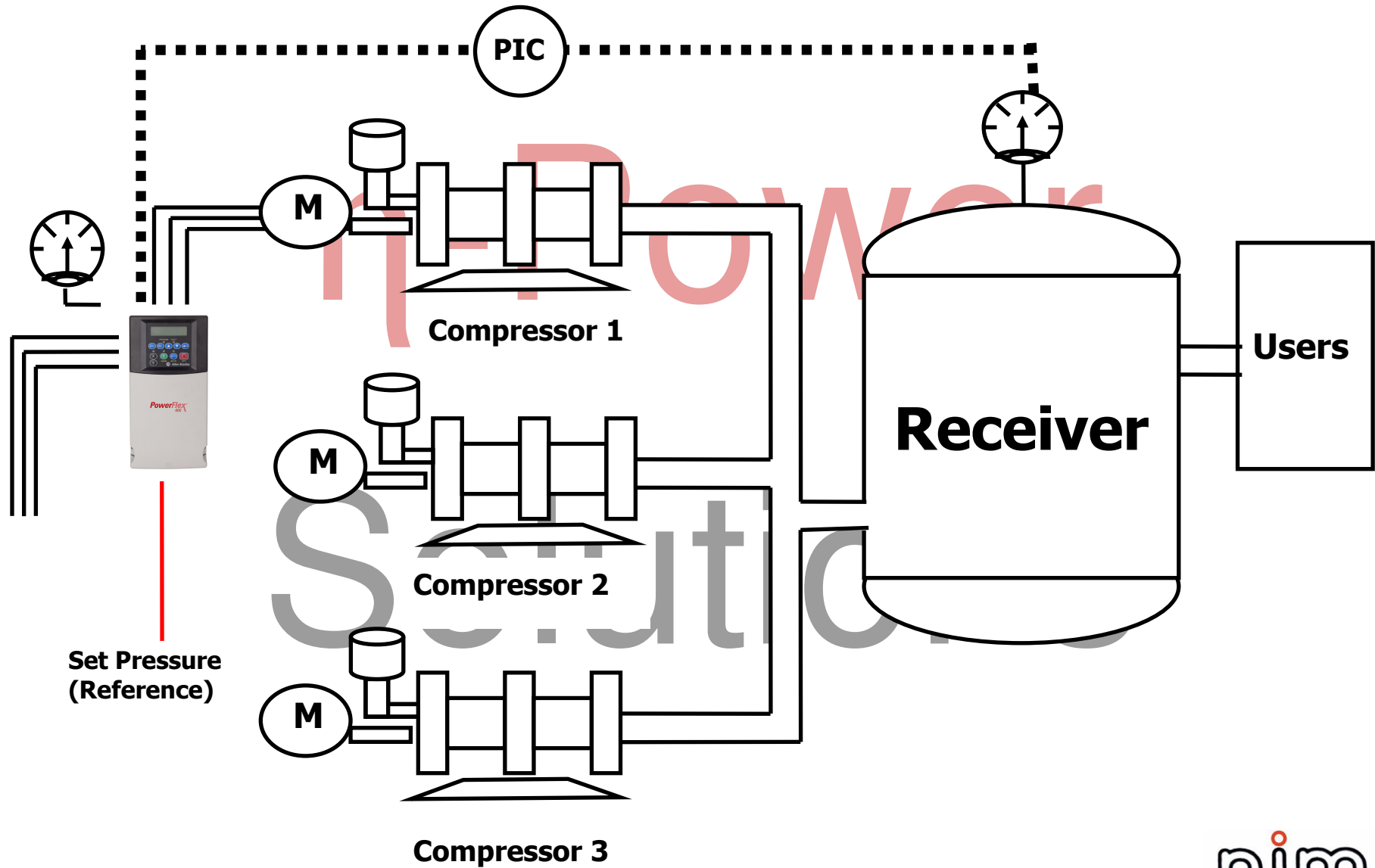


Compressors – Traditional Operational Strategy

Load / Unload Type Operation



Compressors - VFD in Closed Loop



Compressors – Using Closed Loop VFD

↓ 1 kg/cm² pressure = 7% energy requirement ↓

